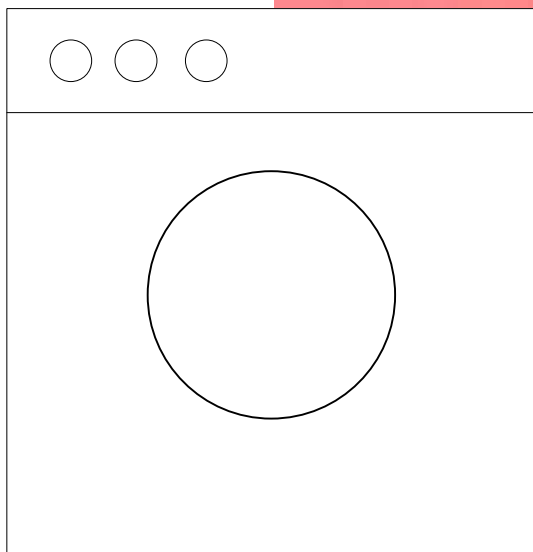


The SP100 can be used to control any domestic appliance for example; washers, dryers, hair dryers etc. etc.

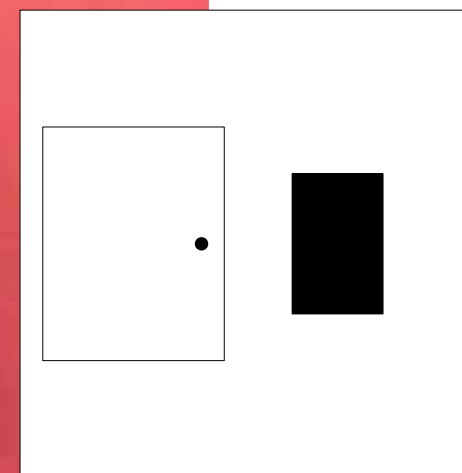
**NOTE.** THE UNIT MUST BE WIRED AND TESTED BY A **QUALIFIED ELECTRICIAN.** THE SPUR MUST BE FUSED TO SUIT THE RATING OF THE APPLIANCE. THE SPEEDER UNIT AND THE APPLIANCE **MUST BE EARTHED.**

## SP100 CONNECTIONS TO APPLIANCE UP TO 16 Amps

**APPLIANCE**



**FUSED SPUR**



**SPEEDER DOMESTIC WASHER / DRIER CASH BOX**  
**SP100/a/e/t WIRING DIAGRAM PAGE1.**

# SP100 CONNECTIONS TO APPLIANCES OR CIRCUITS UP TO 30 Amps.

NOTE. THE UNIT MUST BE WIRED AND TESTED BY A QUALIFIED ELECTRICIAN. THE SPUR MUST BE FUSED TO SUIT THE RATING OF THE APPLIANCE. THE SPEEDER UNIT AND THE APPLIANCE MUST BE EARTHED.

**30 Amp Supply**

**30 Amp Circuit**



**FUSED SUPPLY**

**SPEEDER DOMESTIC WASHER /  
DRIER CASH BOX  
SP100/a/e/t WIRING DIAGRAM  
PAGE 2.**

**SPEEDER DOMESTIC WASHER / DRIER CASH BOX**  
**SP100/a/e/t SETTING DIAGRAM PAGE 3.**

ISSUE 2. 23/04/2010 ALW

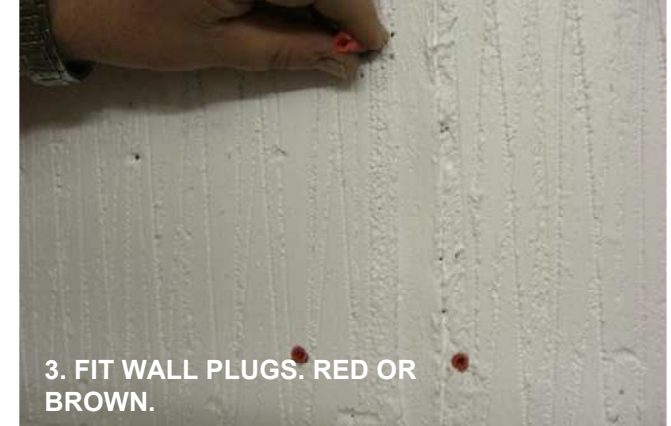
1. PLACE THE BACK-PLATE IS IN THE REQUIRED POSITION MARK THE THREE MOUNTING HOLES. KEEP LEVEL.



2. DRILL THE WALL WITH A SUITABLE SIZED MASONARY DRILL. APPROX 6mm.



3. FIT WALL PLUGS. RED OR BROWN.



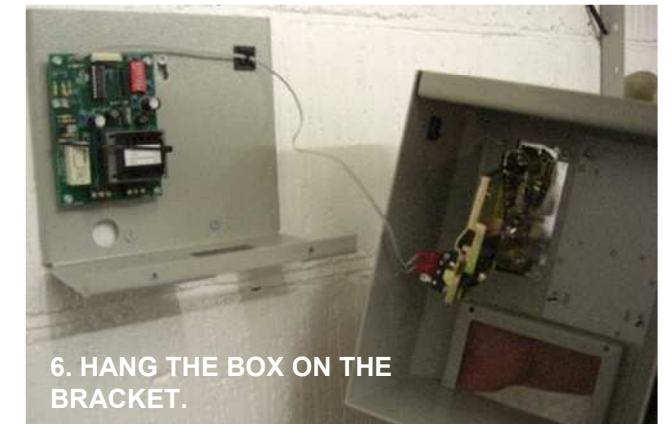
4. FIT TO WALL WITH SUITABLE SCREWS.



5. RECONNECT THE SWITCH WIRES.



6. HANG THE BOX ON THE BRACKET.



7. IF THE BOX DOES NOT GO ON SMOOTHLY LOOSEN THE TOP SCREW.



8. REPLACE THE CONCEALED SCREWS UNDER THE CASH BOX LIP.



9. MOUNTING COMPLETE.





**SPEEDER DOMESTIC WASHER / DRIER CASH BOX**  
**SP100/a/e/t SETTING DIAGRAM PAGE 4.**

**Tote mode for washing machines etc.**

- Switch 1. 1 X £1 Coin or Token
- Switch 2. 2 X £1 Coin or Token
- Switch 3. 4 X £1 Coin or Token
- Switch 4. See time table
- Switch 5. See time table
- Switch 6. See time table
- Switch 7. See time table
- Switch 8. Always ON for washing machine.

<u>Switch 4.</u>	<u>Switch 5.</u>	<u>Switch 6.</u>	<u>Switch 7.</u>	<u>TIME</u>
OFF	OFF	OFF	OFF	3 SECS
ON	OFF	OFF	OFF	¼ hour
OFF	ON	OFF	OFF	½ hour
ON	ON	OFF	OFF	1 hour
OFF	OFF	ON	OFF	1 ½ hours
ON	OFF	ON	OFF	2 hours
OFF	ON	ON	OFF	2 ½ hours
ON	ON	ON	OFF	3 hours
OFF	OFF	OFF	ON	3 SECS
ON	OFF	OFF	ON	10 SECS
OFF	ON	OFF	ON	20 SECS
ON	ON	OFF	ON	30 SECS
OFF	OFF	ON	ON	40 SECS
ON	OFF	ON	ON	50 SECS
OFF	ON	ON	ON	60 SECS
ON	ON	ON	ON	70 SECS

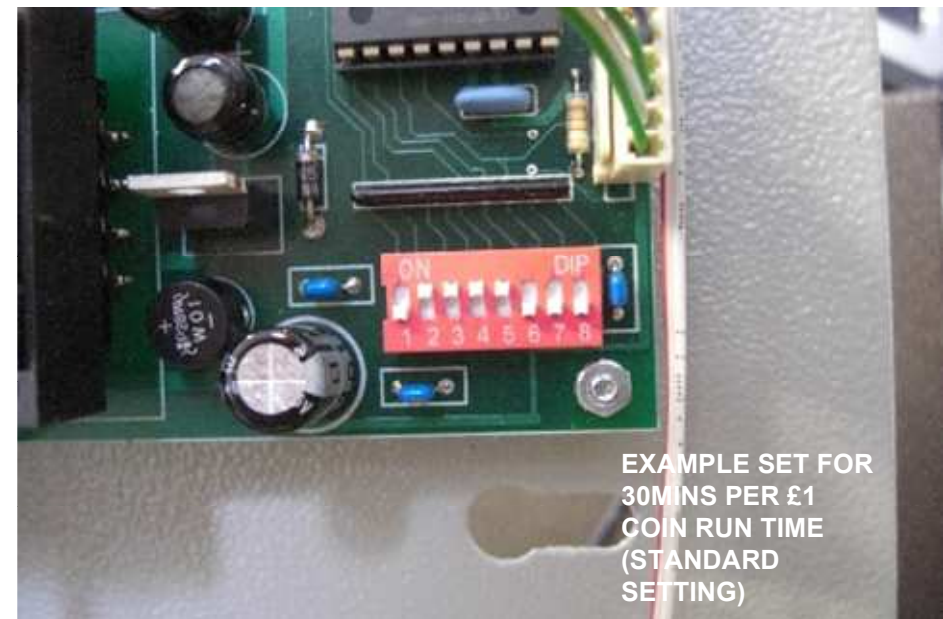


EXAMPLE SET FOR  
2 X £1 COINS AND  
2 HOURS RUN TIME  
(STANDARD  
SETTING)

**Timer mode for tumble driers etc.**

- Switch 1. 1 min / Coin or Token
- Switch 2. 2 min / Coin or Token
- Switch 3. 4 min / Coin or Token
- Switch 4. 8 min / Coin or Token ON
- Switch 5. 16 min / Coin or Token ON
- Switch 6. 32 min / Coin or Token ON
- Switch 7. 64 min / Coin or Token ON
- Switch 8. Always OFF for Tumble drier.

EXAMPLE  
TWO HOURS = 4,5,6 & 7 ON  
ALL OTHERS OFF

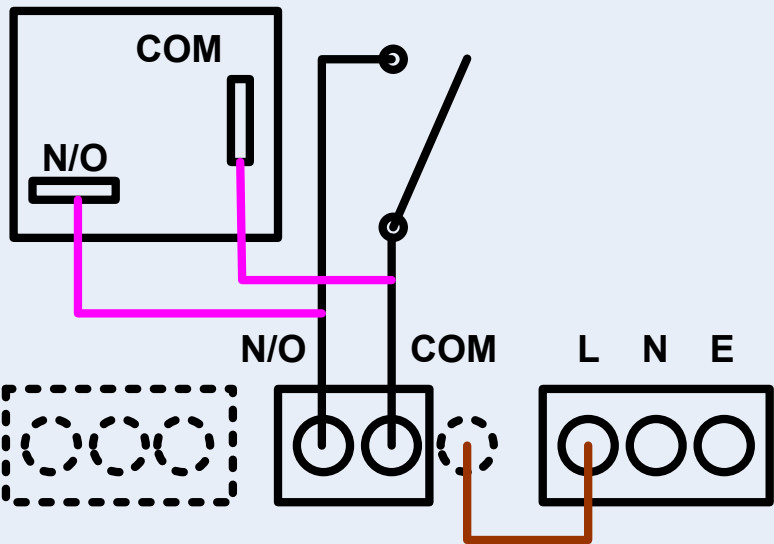


EXAMPLE SET FOR  
30MINS PER £1  
COIN RUN TIME  
(STANDARD  
SETTING)

**Tote mode settings.**

- Switch 1. 10p
- Switch 2. 20p
- Switch 3. 40p
- Switch 4. 80p
- Switch 5. 160p
- Switch 6. 320p
- Switch 7. 640p
- Switch 8. Pulse OFF = Short ON = Long

Example: For Tote Price = £2.20 set 2, 3 & 5 ON  
Choose pulse length to suit machine. Short = 250ms  
Long = 2 secs.



**SP100 TOTE connections and settings**